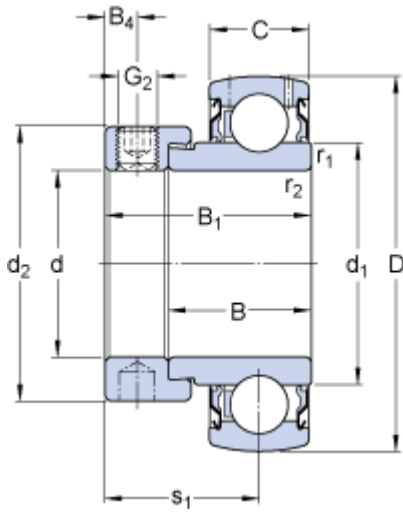


YET 204-012

Dimensions



d		19.05	mm
D		47	mm
B_1		31	mm
C		14	mm
d_1	\approx	28.2	mm
d_2		32.4	mm
B		21.5	mm
B_4		4.75	mm
$r_{1,2}$	min.	0.6	mm
s_1		24	mm

Calculation data

Basic dynamic load rating	C	12.7	kN
Basic static load rating	C_0	6.6	kN
Fatigue load limit	P_u	0.28	kN
Limiting speed with shaft tolerance h6		8500	r/min
Calculation factor	f_0	13	

Mass

Mass complete bearing		0.17	kg
-----------------------	--	------	----

Mounting information

Thread grub screw	G_2	1/4-28 UNF	
Hexagonal key size for grub screw	N	3.175	mm
Recommended tightening torque for grub screw		4	N·m

Appropriate products

Rubber seating ring		RIS 204	
---------------------	--	---------	--